

661 ACCU-PRO AT/MT BEDKNIFE GRINDERS

STANDARD FEATURES ::

ROBUST WELDED-STEEL FRAME DESIGN
AND POWDER COATED FINISH

TRAVERSE SYSTEM - AUTOMATIC BELT DRIVE VARIABLE SPEED
USING PROXIMITY SENSORS (661 AT) MANUAL TRAVERSE ON THE
(661 MT). COGGED TRAVERSE BELT WITH 38" TRAVEL CAPACITY

INFEEED - MANUAL

COOLANT - 1 PINT OF FLOOD COOLANT PROVIDED

CARRIAGE - "V" ROLLER CARRIAGE SINGLE POINT INFEEED WITH
ADJUSTABLE GRINDING WHEEL HEIGHT

RAILS - PRECISION GROUND ROUND RAILS WITH RECIRCULATION
BALL BEARINGS

DIAMOND POINT DRESSER SYSTEM - SELF CONTAINED DRESSER
SYSTEM

BEDKNIFE SET-UP - PERMANENT MAGNETS WITH SPRING-LOADED
PLACEMENT PINS AND CENTERS FOR ADDED SUPPORT

OPTIONAL EQUIPMENT ::

BORAZON GRINDING WHEEL FOR HARDENED BEDKNIVES
PART #3700696

BECAUSE FOLEY COMPANY IS CONTINUALLY IMPROVING ITS PRODUCTS,
SPECIFICATIONS ARE SUBJECT TO CHANGE WITHOUT NOTICE.

FOLEY
COMPANY

PRECISION AT PLAY

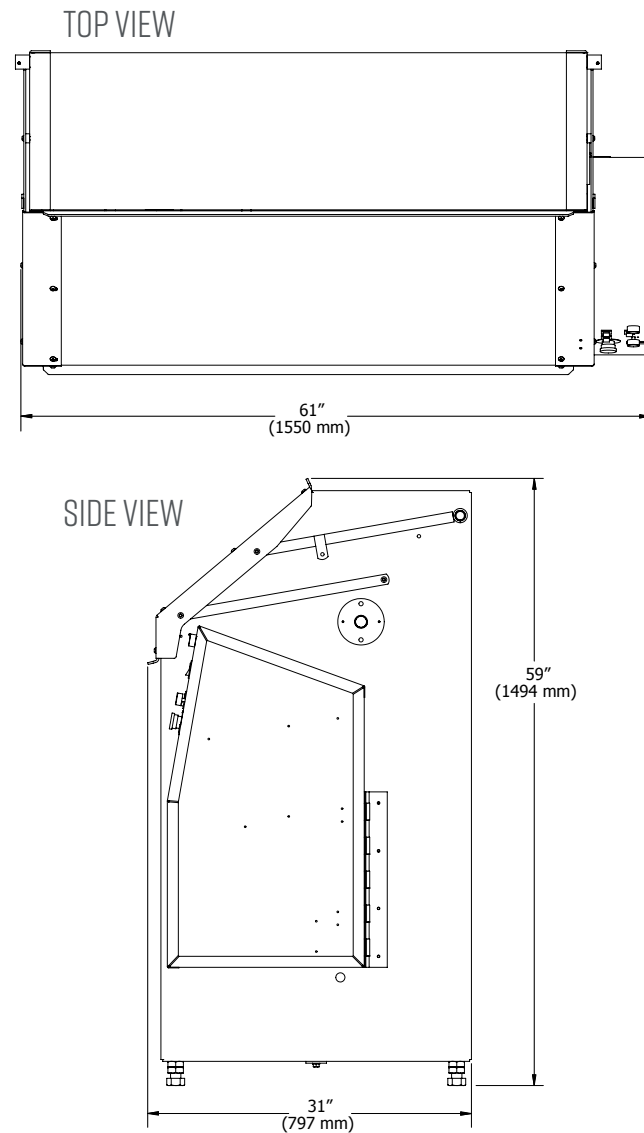
P: 1.715.426.5151

TOLL FREE: 1.800.225.9810

FOLEYCO.COM

WEIGHT :: 730 LBS [331 KG]

DIMENSIONS ::



DISTRIBUTED BY:



MADE IN THE USA

©2019 FOLEY COMPANY. LIT-2019-10004

FOLEY
COMPANY



661 ACCU-PRO
AT/MT BEDKNIFE GRINDERS

ECONOMY GRINDER WITH
MANUAL + AUTOMATIC OPTIONS

661 ACCU-PRO AT/MT BEDKNIFE GRINDERS

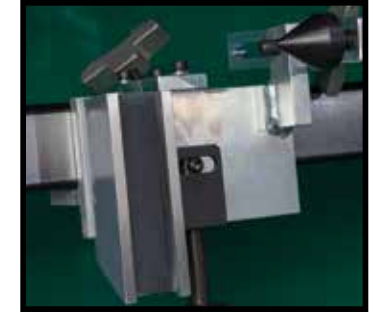
THE 661 ACCU-PRO AT + ACCU-PRO MT



1 EASY ANGLE POSITIONS



2 MAGNETIC MOUNTING SYSTEM



3 PRECISION GRINDING HEAD



4 INTEGRATED FLOOD COOLANT SYSTEM



5 BELT DRIVE TRAVERSE SYSTEM ON 661 AT



6 BUILT IN DIAMOND DRESSER



7 ACCESSIBLE CONTROL PANEL



8 INTERLOCK SAFETY SWITCH



ALL THE FEATURES
YOU NEED WITHOUT
BREAKING THE BUDGET

▶ LEARN MORE: FOLEYCO.COM



▶ PROTECTIVE SHIELD

▶ **661 ACCU-PRO ::**

BEDKNIFE SUPPORT TOOLING

USES PERMANENT MAGNET TO SECURE THE BEDKNIFE.

FULL FEATURED GRINDING HEAD DESIGN

ALLOWS FOR INCREMENTAL INFEDS OF .001" (.025 MM) AS THE RIGID CARRIAGE MAKES GRINDING SMOOTH AND PRECISE.

AUTO-TRAVERSE FUNCTION ON 661 AT

TO TRAVERSE THE GRINDING HEAD AUTOMATICALLY DOWN THE LENGTH OF THE BEDKNIFE ON TWO PRECISION RAILS.